

# 5MP Fixed IR Turret Analog Camera

UAC-T115-AF28(40)



## Overview

UAC-T115-AF28(40) is a 5MP fixed IR turret analog camera with a high-performance 1/2.7-inch CMOS sensor. It supports TVI/AHD/CVI/CVBS, which effectively enhances product adaptability and diversity of networking solutions. With SYV-75-3 or other coaxial cable types, the camera can achieve low-cost, long-distance, and anti-interference mega-pixel HD video transmission without time delay. It supports IR-cut filter with auto-switch (ICR) and provides color images at daytime and black/white images at night. The camera also supports audio input and synchronous transmission of audio and video.

## Features

- 5MP high quality image
- TVI/AHD/CVI/CVBS
- Supports IR-cut filter with auto-switch (ICR)
- Supports 180° horizontal flip, 180° vertical flip
- OSD configuration menu, easy to operate
- IP67 waterproof and dustproof design, high reliability
- OSD configuration menu in 11 languages
- Built-in microphone for high quality audio transmission via coaxial cables

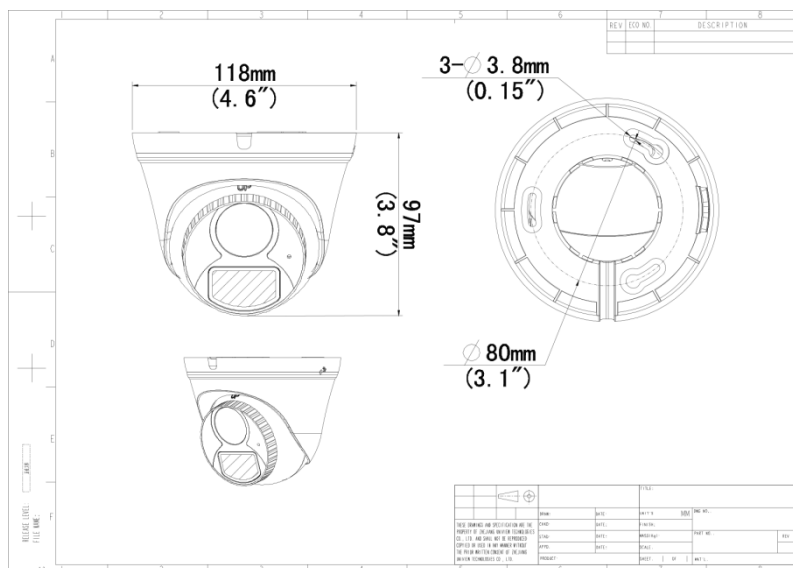
## Specifications

Sensor	Description
--------	-------------

Pixel	5MP
Sensor Size	1/2.7"
Min. Illumination	0.02 lux (F2.0, AGC ON) 0 lux (IR ON)
<b>Lens</b>	<b>Description</b>
Focus	UAC-T115-AF28:2.8mm UAC-T115-AF40:4.0mm
Lens Mount	M12
Angle of View (H)	UAC-T115-AF28:102.2° UAC-T115-AF40:82.9°
Angle of View (V)	UAC-T115-AF28:53.9° UAC-T115-AF40:46.1°
Angle of View (D)	UAC-T115-AF28:124.8° UAC-T115-AF40:100.0°
<b>Illuminator</b>	<b>Description</b>
Illuminator Number	One IR illuminator
Illumination Distance	20m
Lifetime	≥60000 hours
<b>Video</b>	<b>Description</b>
Resolution	5MP@25fps: 2880(H)×1620(V); 5MP@20fps: 2592(H)×1944(V); 5MP@12.5fps: 2592(H)×1944(V) 4MP: 2560(H)×1440(V) 1080P: 1920(H)×1080(V)
Frame Rate	TVI: 5MP@20fps (default), 5MP@12.5fps, 4MP@25fps, 4MP@30fps, 1080P@25fps, 1080P@30fps AHD: 5MP@20fps, 4MP@25fps, 4MP@30fps, 1080P@25fps, 1080P@30fps CVI: 5MP@25fps, 4MP@25fps, 4MP@30fps, 1080P@25fps, 1080P@30fps CVBS: PAL, NTSC
Shutter Time	PAL: 1/25s-1/50000s, NTSC: 1/30s-1/50000s
<b>Image</b>	<b>Description</b>
Exposure Mode	Four modes: Global(default),BLC,HLC,DWDR
Day/Night	Three modes: Auto (default), Day, Night
Digital Noise Reduction	2D
White Balance	Two modes: Auto (default),Manual
WDR	DWDR
Smart IR	Support
Flip	Supports 180° horizontal flip, 180° vertical flip
Digital Defog	N/A
<b>Audio</b>	<b>Description</b>
Built-in Mic	Support
Camera Audio	TVI: 5MP@20fps, 5MP@12.5fps, 4MP@25fps, 4MP@30fps, 1080P@25fps, 1080P@30fps CVI: 5MP@25fps, 4MP@25fps, 4MP@30fps

Interface	Description
Power Interface	5.5mm Power Interface
Video Output	BNC, supports TVI/AHD/CVI/CVBS
Operating Environment	Description
Temperature	-30°C to 60°C (-22° F to 140° F)
Humidity	≤95% RH (non-condensing)
Surge Protection	4kV for power&4kV for video output interfaces
General	Description
Power	DC12V ±25%
Power Consumption	MAX 3.3W
Mount	Wall Mount, Pole Mount, Corner Mount, Pendant Mount
Dimensions	Φ 118mm*96mm (diameter*height)
Material	Plastic
Weight	183g(0.40lb)
OSD menu language	11 Languages English, German, Spanish(Latin America), French, Italian, Japanese, Korean, Polish, Portuguese(Brazil), Russian, Turkish
Certification	Description
EMC	CE-EMC (EN 55032,EN 61000-3-3,EN IEC 61000-3-2,EN 55035)FCC (FCC 47 CFR part15 B)
Safety	CE-LVD (EN 62368-1)
Environment	CE-RoHS (2011/65/EU;(EU)2015/863); WEEE (2012/19/EU)
Protection	IP67 (IEC 60529)

## Dimensions



No. 369, Xietong Road, Xixing Sub-district, Binjiang District, Hangzhou City, 310051, Zhejiang Province, China

Email: [overseasbusiness@uniview.com](mailto:overseasbusiness@uniview.com); [globalsupport@uniview.com](mailto:globalsupport@uniview.com)

<http://www.uniview.com>

©2023-2024 Zhejiang Uniview Technologies Co., Ltd. All rights reserved.

\*Product specifications and availability are subject to change without notice.

\*Despite our best efforts, technical or typographical errors may exist in this document. Uniview cannot be held responsible for any such errors and reserves the right to change the contents of this document without prior notice.